



LOK SOUND
EST. 1999

South West Digital Ltd

ESU Distributor for the UK since 2006

47 Merlin Park, Portishead, BS20 8RJ, England
Tel: +44 (0) 1934 515382. Mon – Thur 09:00 – 1300, 1400 – 16:00hrs
Fri 09:00 – 13:00hrs

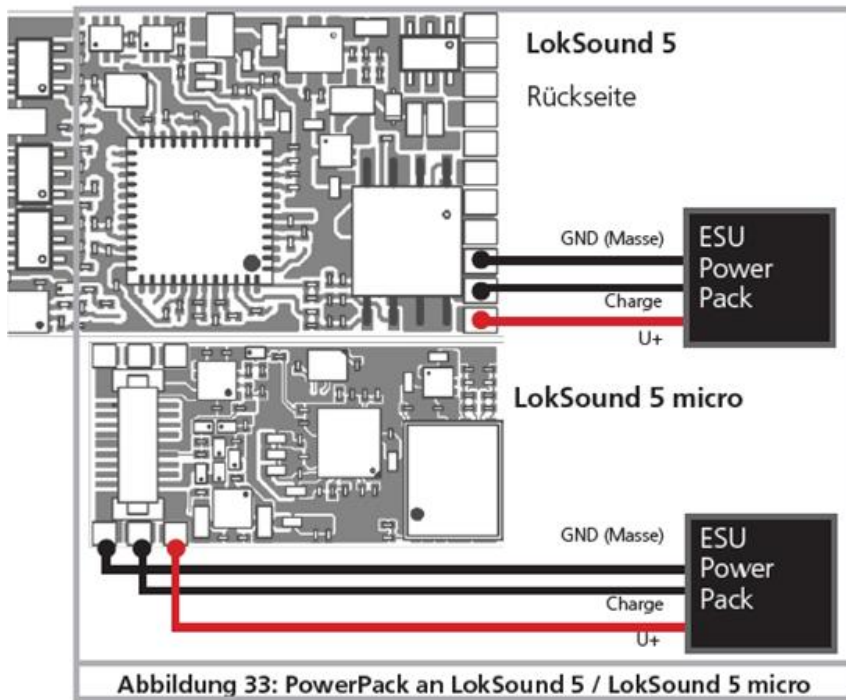
Email: info@swd4esu.co.uk

Web: www.southwestdigital.co.uk

Please note: We are a mail order distributor not a shop

Power Pack Information for v5

Connect the power Pack as shown:

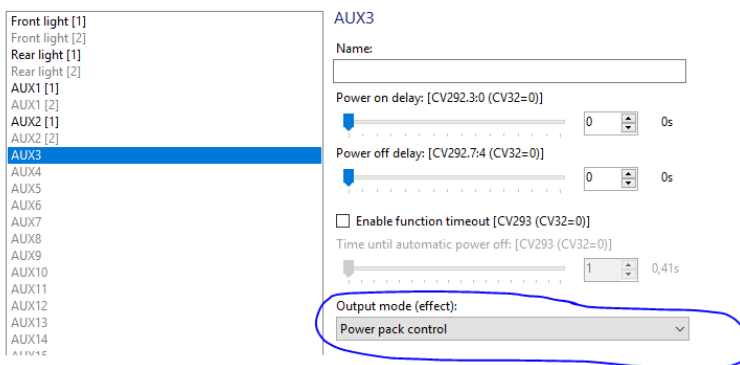


Power Pack Set up

You have to use AUX 7 for LS 5 micro and AUX 9 for LS 5 power pack control as follows:

You need to setup the Aux Output mode to **Power Pack control**.

Physical output configuration



You don't need to function map it, it will work automatically.

Run time can be adjusted with CV 113 Default = 40 (0.66 sec) Max value = 255 (4.0sec)