

LokSound Select L / LokSound L V4.0

Additional information for LokSound Select L and LokSound L V4.0

1. Edition, August 2015

LokSound Select L V4.0 & LokSound L V4.0

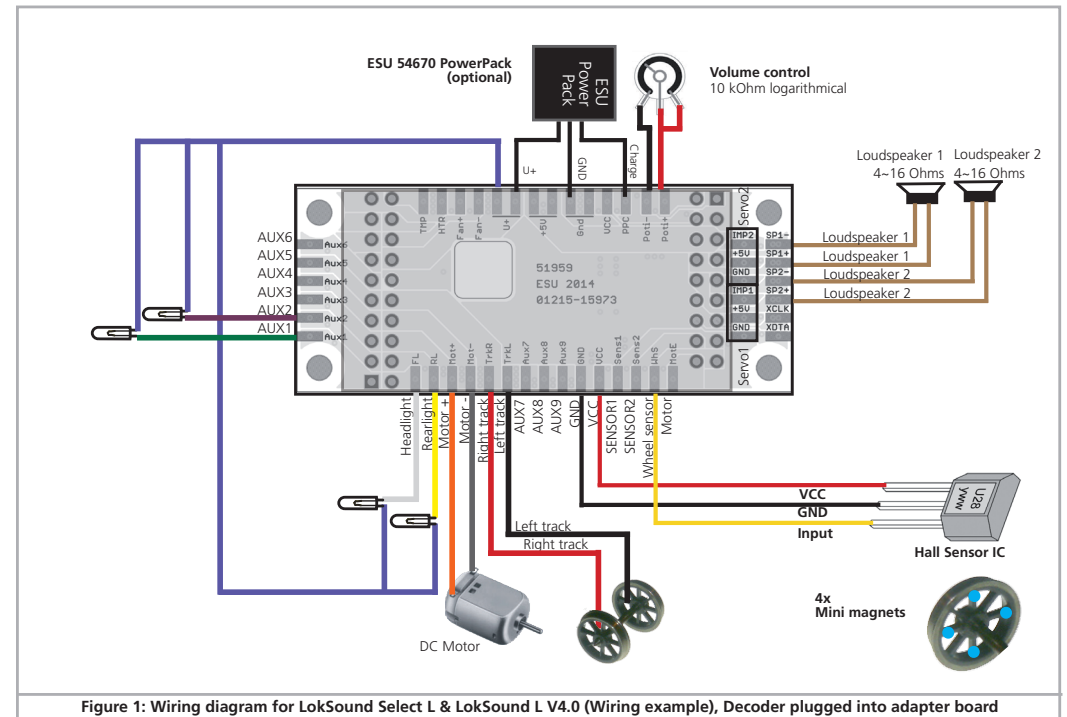
The new LokSound L V4.0 and the LokSound Select L are made to fill a huge void in the O scale DCC Market. The LokSound L V4.0 and LokSound L Select decoders will easily use the many respective ESU V4.0 and Select sound files already on the market as they are of course programmable with the famous ESU LokProgrammer hardware. With a constant current of 3Amps continuous the decoder's load control will power all current O scale locomotives whether having 1 or 2 motors with ease. The decoder's hardware includes 11(!) function outputs, ability run 2 servos, and inputs for 3 hall sensors (commonly used for syncing Steam Chuffs). You can also add 2 speakers as there are 2 separate speaker outputs (one Channel). Additionally there is the ability to add an external volume control and external power pack. All LokSound L V4.0 / LokSound Select L will be shipped with an adapter board that makes installation easy.

Overview of LokSound Select L & LokSound L V4.0

	LokSound L V4.0	LokSound Select L
DCC operation	Ok	Ok
Motorola® operation	Ok	n.a.
M4 operation (mfx® compatible)	Ok	n.a.
Selectrix® operation	Ok	n.a.
Analogue DC operation	Ok	Ok
Analogue AC operation	Ok	n.a.
DCC programming	Ok	Ok
Intelligent programming mode with Märklin® 6021	Ok	n.a.
M4 automatic detection and programming	Ok	n.a.
RailCom® Plus	Ok	Ok
ABC brakes	Ok	Ok
Continuous load on motor output	3,0A	3,0A
Function outputs	11 / 500mA	11 / 500mA
Servos control	2	2
Integrated PowerPack keep alive	n.a.	n.a.
Connection for external PowerPack Keep alive	Ok	Ok
Connection	Pin header with adapter board	Pin header with adapter board
Item number	54399	73399



Wiring diagram for LokSound Select L & LokSound L V4.0



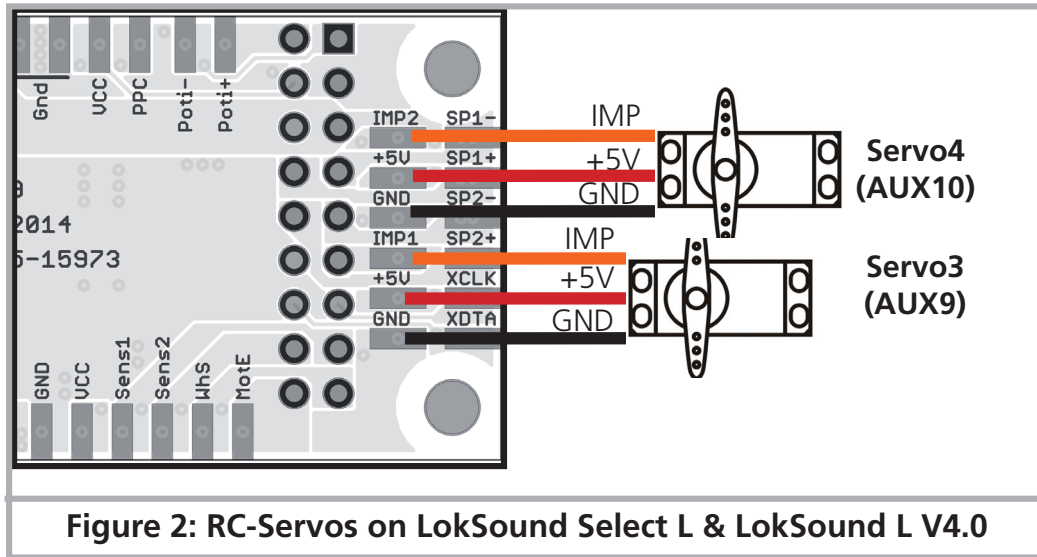
Please refer to the LokSound V4.0 and LokSound Select manuals available on the ESU Website for decoder programming.

www.LokSound.com

LokSound Select L / LokSound L V4.0

Servo connection on LokSound L V4.0 / LokSound Select L

The LokSound L V4.0 / LokSound Select L features two servo outputs: (Servo 3) should be function mapped to Aux9. (Servo 4) should be function mapped to Aux10. All RC servos with positive impulse signal can be used. We recommend to use "Digital" servos because these usually do not jitter during startup. Before you can use the two servo outputs, you need to configure them as "Servo" in the LokProgrammer software.



Smoke unit on LokSound L V4.0 / LokSound Select L

Both the LokSound L V4.0 / LokSound Select L can control a synchronized smoke unit. You need to use a smoke unit that offers the following connections:

- 2x Fan motor
- 2x Heater
- 2x Temperature sensor

The decoder reads the data from the temperature sensor and controls the heater based on the desired-settings, so the smoke unit could never burn out. Please note that the settings for the smoke unit need to be included in the sound project file. While you could easily change these settings on LokSound L V4.0 decoders, the settings in LokSound Select L decoders could not be altered by yourself. ESU will do the conversion of the LokSound Select files to be compatible with the Smoke units. Please try to use smoke unit mechanisms that are offered by ESU as spare parts or equal parts that feature a temperature sensor.

